



Parcel Box Roof Installation

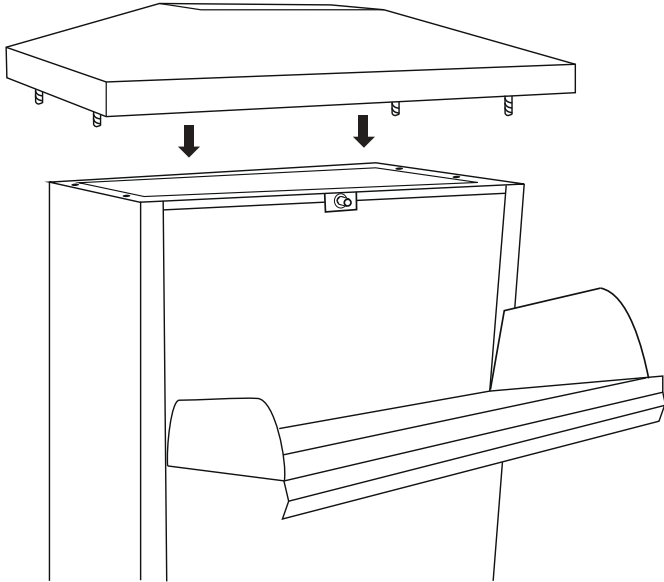
Includes _____



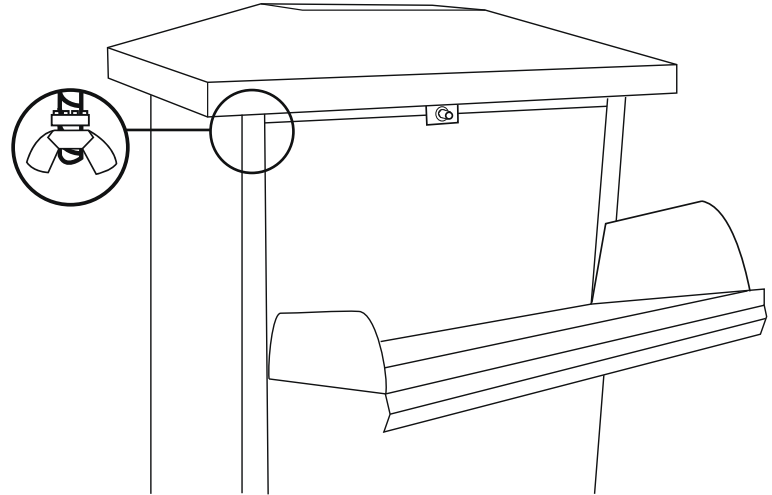
4 - Washers



4 - Bolts



- 1 Place screws of the roof through the roof holes of the parcel box.



- 2 With drop slot open, screw in washer and bolt on to the screw to secure the roof to the parcel box. Repeat three more times with remaining screws.